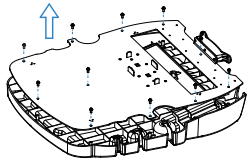


Quick Start Card

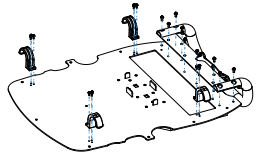
Name: Q Series Trolley
Model: TR-2B

✕ Installation steps:

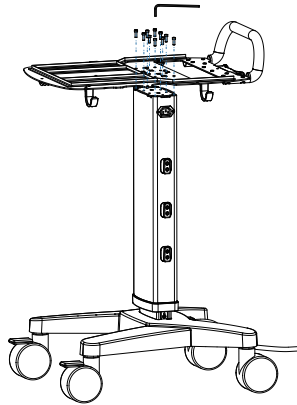
4 Desktop installation



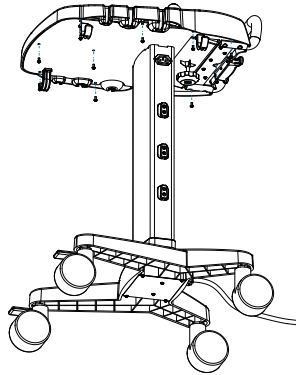
A: Turn over the desktop module and lay it on the protective mat, then remove the screws.



B: Fix the handle with 10 M4 screws (P/N:52-00789-00) and hooks with 12 M3 screws (P/N:52-00783-00).

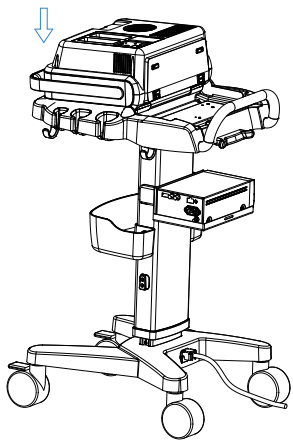


C: Put the desktop support on the column module, fix it with 10 M5 screws (P/N:52-00978-00).

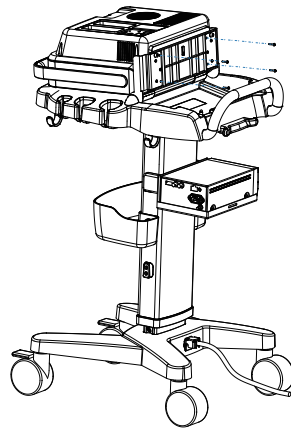


D: Install the desktop with 12 M4 screws (P/N:52-00789-00).

5 Main Unit installation



A: Lay down the main unit on the desktop.

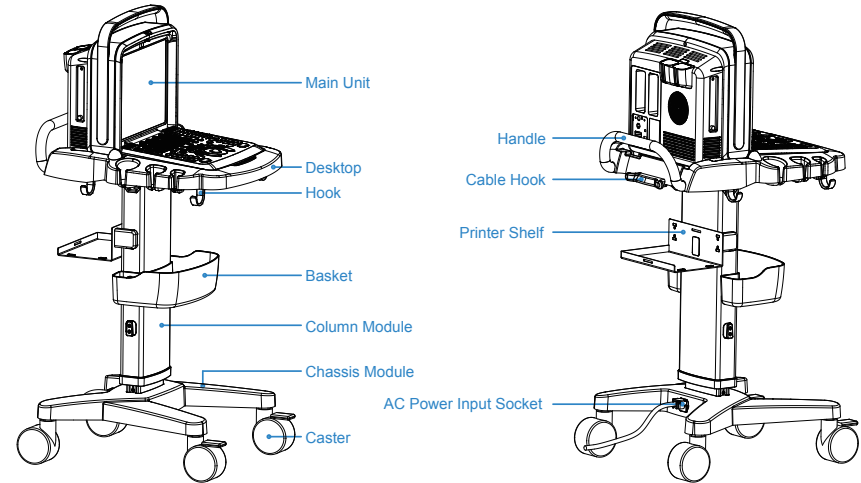


B: Rotate the support close to the main unit, fix the 4 M3 screws (P/N:52-01420-00) to fix the main unit.

Quick Start Card

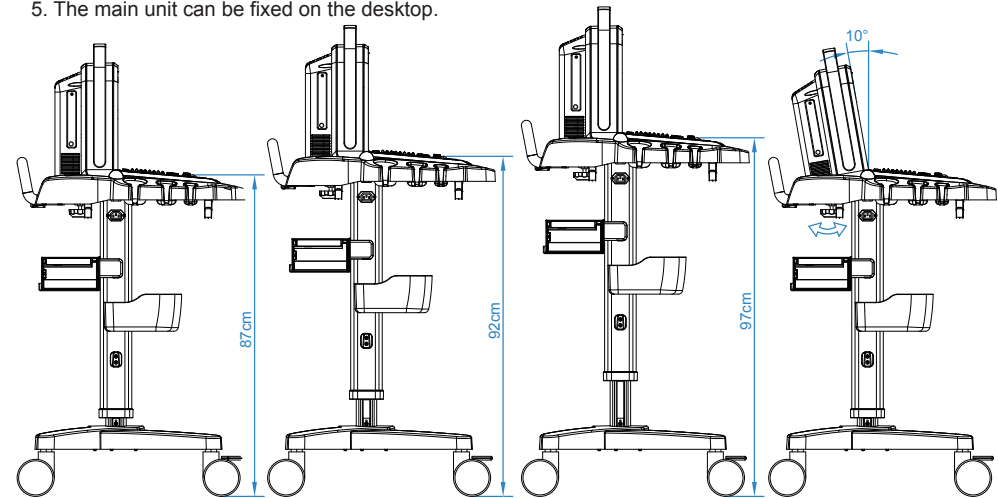
Name: Q Series Trolley
Model: TR-2B

⚙ Instruction of related parts



⚙ Instruction of the functions

1. Height adjustable 0-50-100mm by manual adjustment (see step 3).
2. View Angel of LCD screen adjustable 0-10 degrees.
3. The position of printer shelf and basket could be adjusted according to user's habit.
4. The casters are universal wheels and can be rotated in 360 degrees, the 2 front casters are with brakes.
5. The main unit can be fixed on the desktop.



Common height, for most people.

Using hand wheel to adjust LCD angle.

Please visit <http://www.chison.com.cn> for more information
or contact with our service department by tel.: 0086-510-85311707
and email: expert@chison.com.cn

Quick Start Card

Name: Q Series Trolley
Model: TR-2B

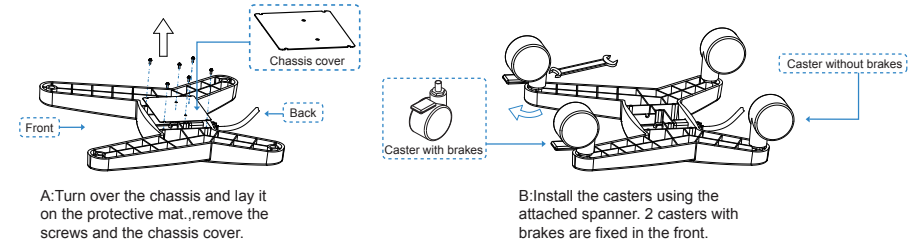
Quick Start Card

Name: Q Series Trolley
Model: TR-2B

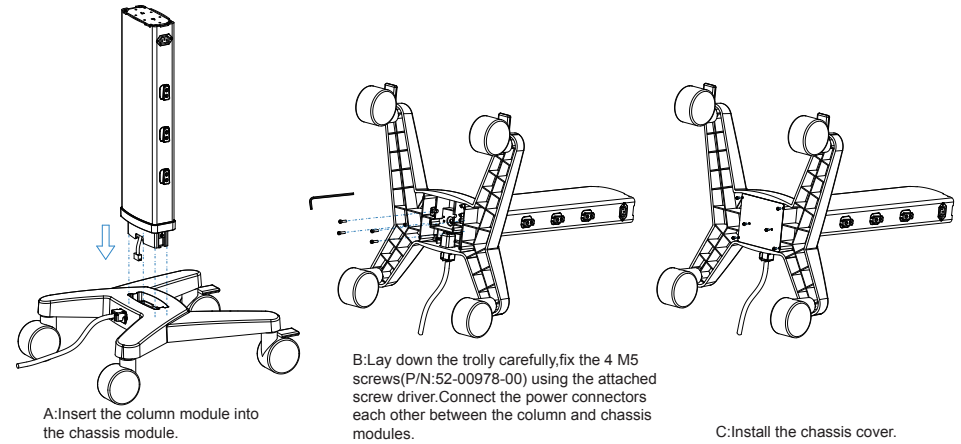
Check the number of components according to the following list before installation.

Installation steps:

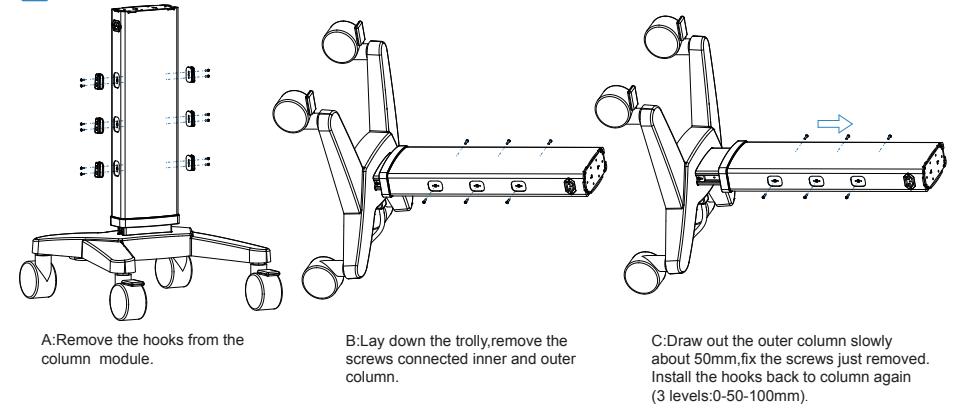
1 Casters installation



2 Column module installation



3 Column height adjustment (option)



Item	Name	Q'ty	Remark	P/N
1	Chassis module	1		91-60509-00
2	Printer shelf	1		91-60415
3	Caster	4	2 with brakes 2 without brakes	52-00204-00 (with brakes) 52-00206-00 (without brakes)
4	Hook	4		52-00386-00
5	Desktop	1		91-60511-00
6	Spanner	1	For casters	52-01260-00
7	Screw M4	27		52-00789-00
8	Screw M3	12		52-00783-00

Item	Name	Q'ty	Remark	P/N
9	Handle	1		52-01169-00
10	Column module	1		91-60510-00
11	Hand wheel	1		91-60577-00
12	Basket	1		51-00699-00
13	Desktop Support	1		52-01168-00
14	Screw M3	4	Connect Main Unit	52-01420-00
15	Screw M5	14		52-00978-00
16	Screw Driver	1	For Screw M5	45-00045-00